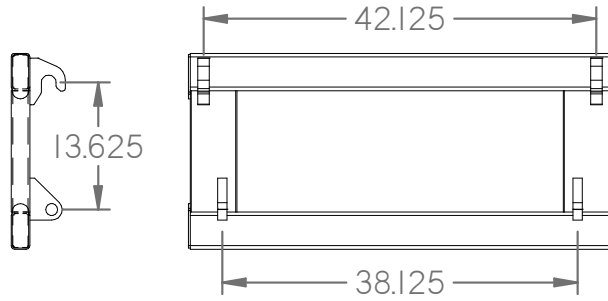
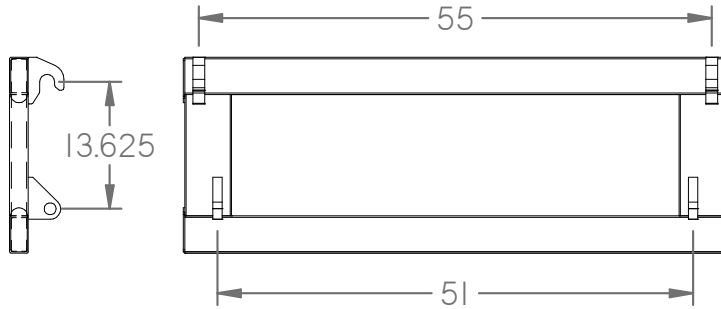


AGCO FL300
 FL400
 FL500
 and
 MF 1040
 1050
 1060
 1070
 1080
 DL280



5620

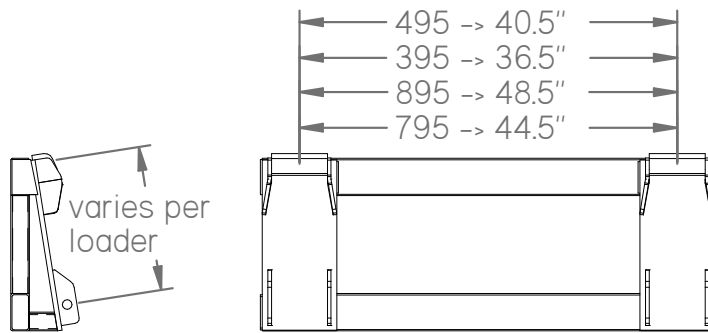
AGCO FL600
 MF 1090



6820

ALLIED/BUHLER:

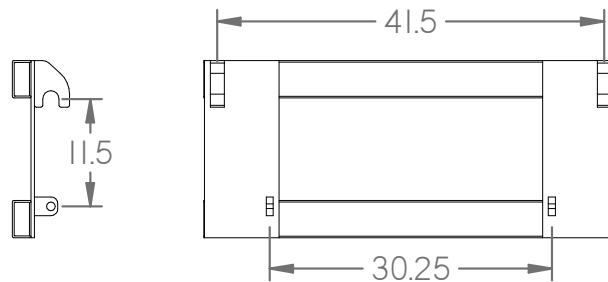
395
 495, 595, 695
 795
 895, 995



7820
 4620
 5820
 4720

ALLIED 2000 SERIES:
 2495, 2595, 2795, 2895

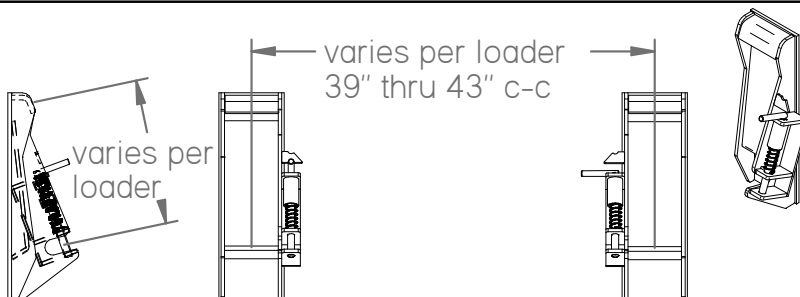
BUHLER:
 2895, 3895



4820

BUSH HOG:

M: 346, 446, 546, 646
 2426, 2446, 2846
 2346
 3226



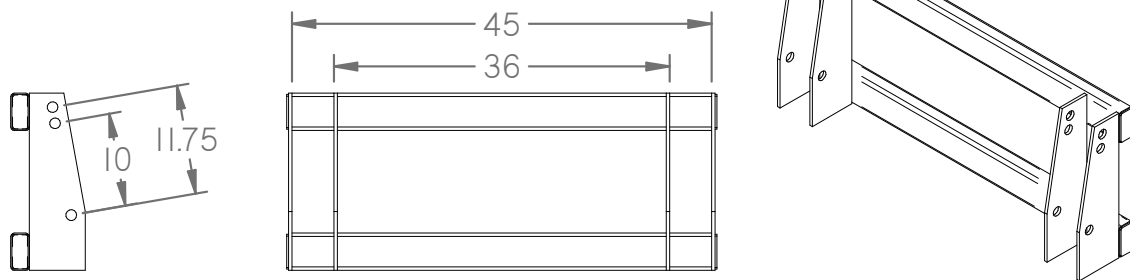
6020
 6120
 7620
 7520



3120

CASE IH 2000 SERIES:

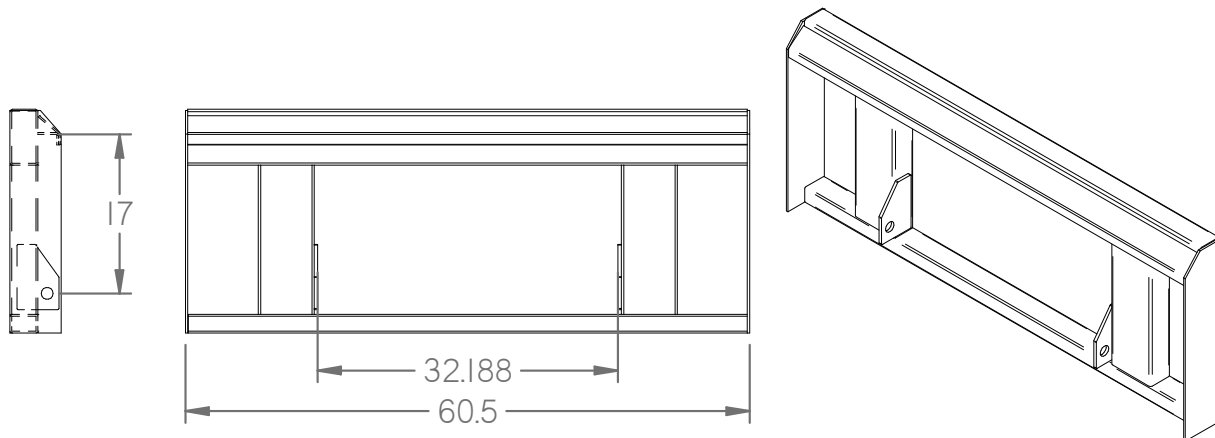
PIN-ON



3220

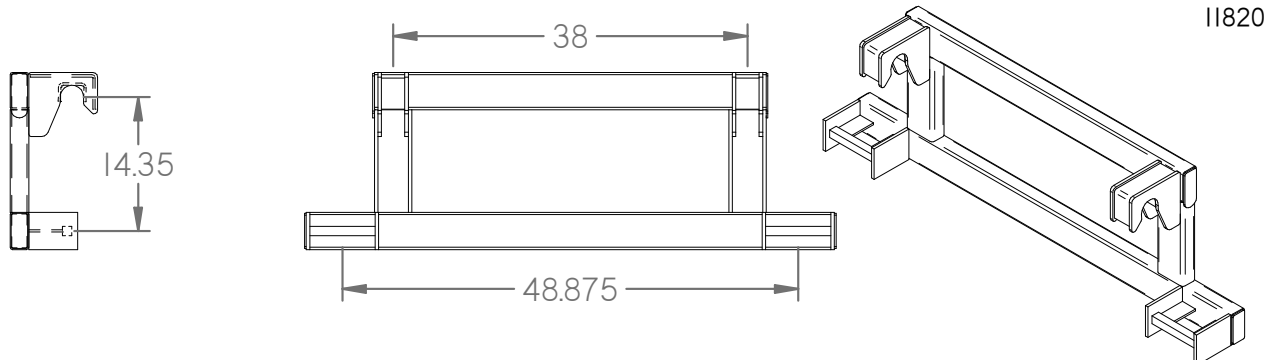
CASE IH:

L300
IH510
IH520



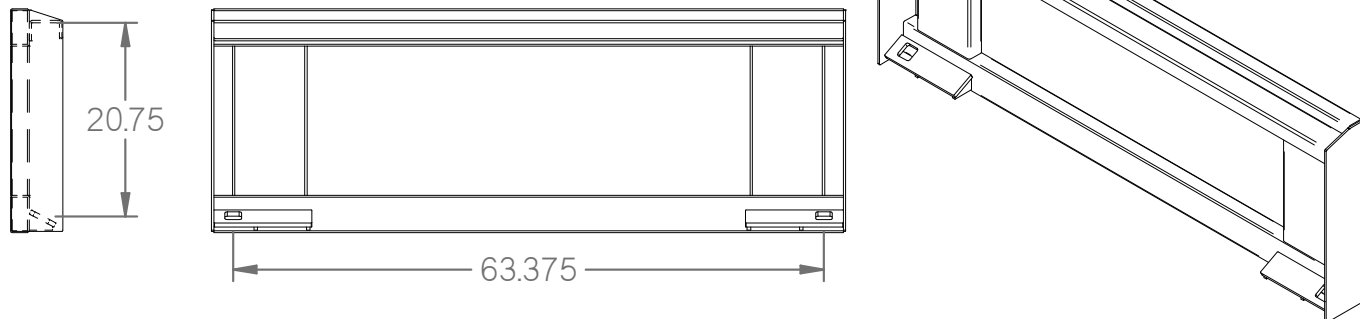
CASE IH:

710
890



11820

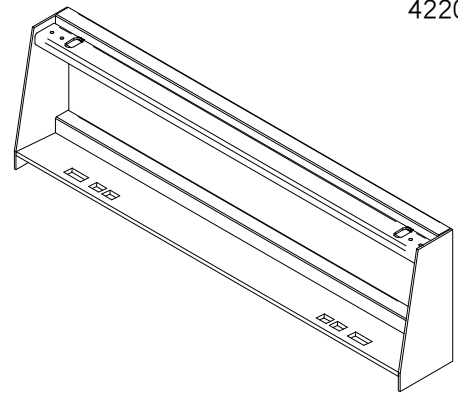
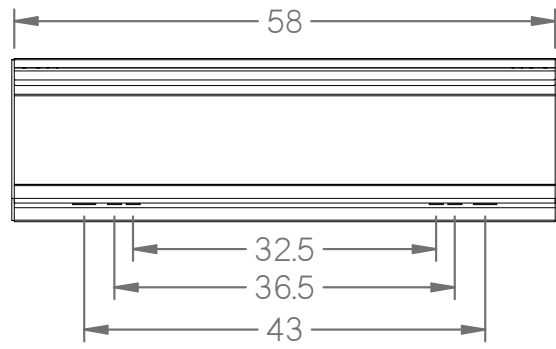
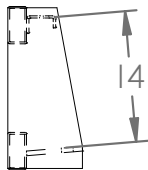
CASE IH LX 192
and
NH 92LB



9120

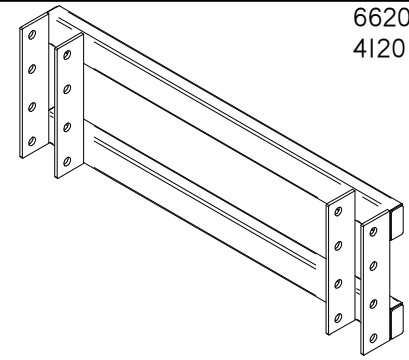
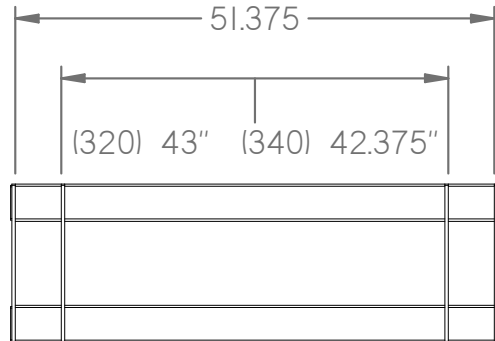
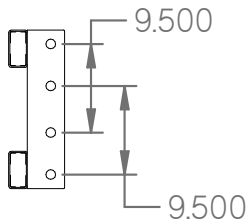


DUAL:
205, 305,
255, 355,
210, 310,
215, 315,
260, 360,
275, 375



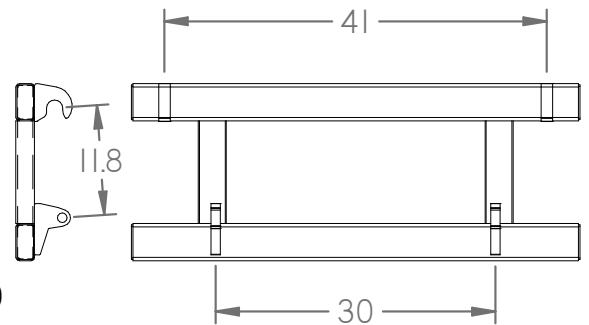
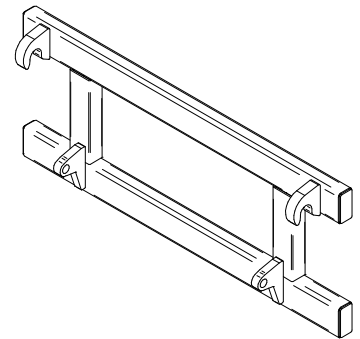
DUAL 320/325:
7/8" TOP & 3/4" BOTTOM PIN

DUAL 340/345:
PIN-TO-PIN
1" TOP & BOTTOM PINS



EURO / JD GLOBAL:

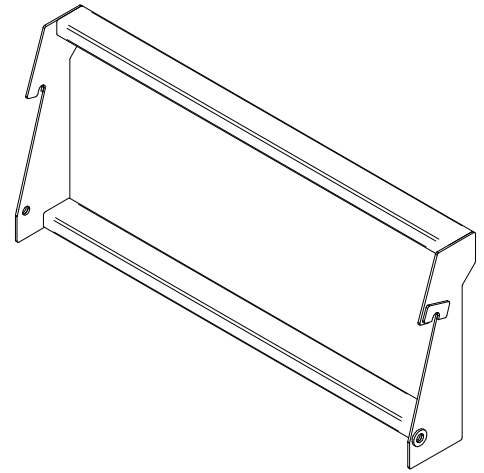
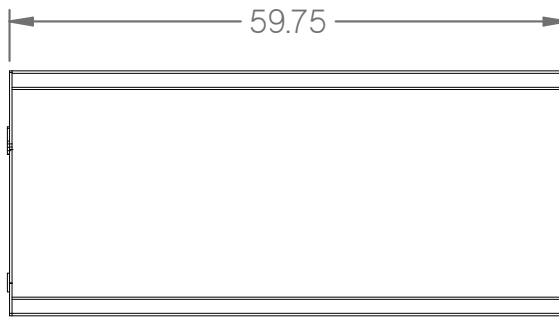
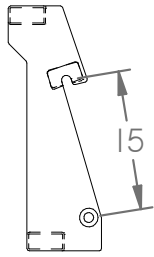
AGCO 340
ALLIED 'E' SERIES
ALO-QUICKE Q700, Q720, Q730, Q740, Q750, Q760, Q900,
Q935, Q945, Q955, Q965, Q975, Q985, Q1090
CASE IH L400, L405, L450, L455, L500, L505, L550, L555,
L600, L605, L650, L655, L700, L705, L750, L755, L800,
L805, L850, L855, LX156, LX162, LX720, LX730, LX740,
LX760, LX770, LX780
CAT CHALLENGER ML72, ML75, ML77ML92, ML94, ML96,
ML97, ML98, ML99
FENDT LOADERS
JOHN DEERE 552, 553, 563, 673, H310, H340, H360, H380
(with Global carrier)
KMW 1440, 1660, 1750, 1760, 1860
KOYKER 1585, 2585
KUBOTA LA1954E, LA2254E
MASSEY-FERGUSON 950, 955, 960, 965, 975, 985
MC CORMICK L720, L750, L900, LI055, LI060, LI065, LI070
NEW HOLLAND 56LB, 62LB, 72LB, 810TL, 820TL, 830TL,
840TL, 850TL, 860TL, 870TL
ZETOR 90, 92, 92HL, 100, 101, 101SL, 102, 102HL, 102SLX,
112SLX, 202, 202SL, 202SLX, 302



4920

FARMHAND:

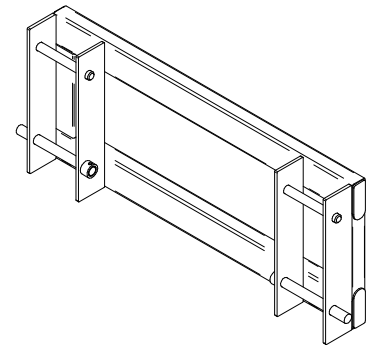
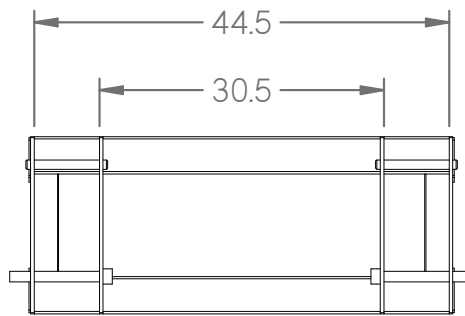
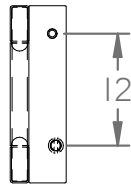
F-11 w/ 60"
DOZER
HOOKUP



5020

FARMHAND XL:

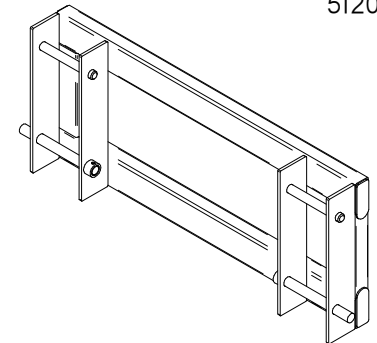
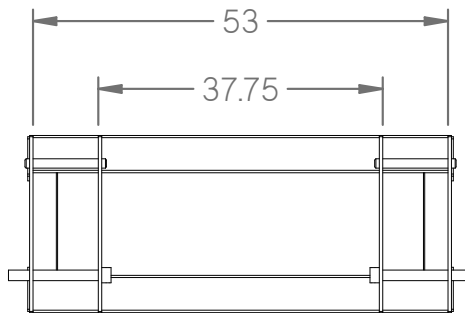
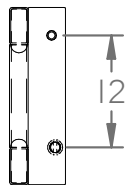
490, 590, 662, 740,
940, 1140, 1340



5120

FARMHAND XL:

945, 1145



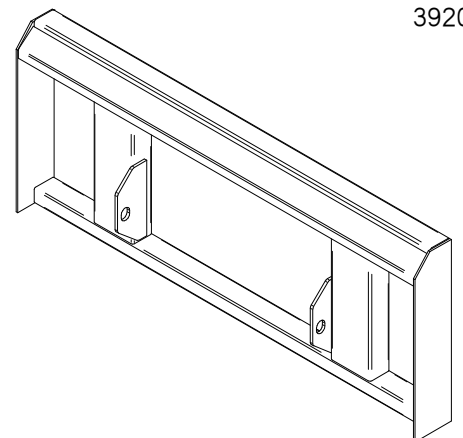
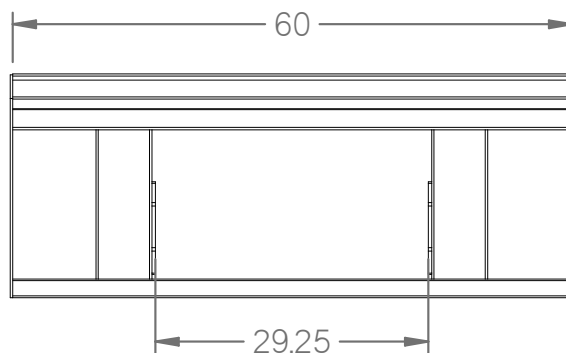
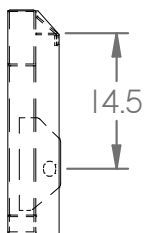
3920

GREAT BEND:

330, 340,
360, 440,
660, 760,
860, 870,
2136, 2140,
2144, 2157,
2166, 2169

and

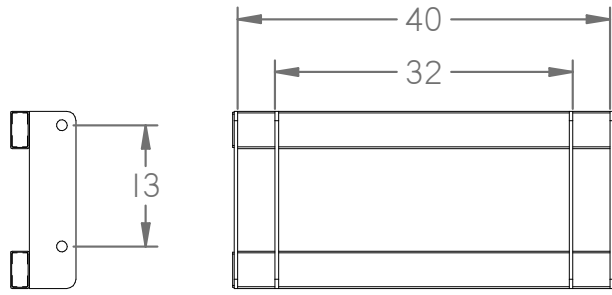
BUSH HOG
3860



2120

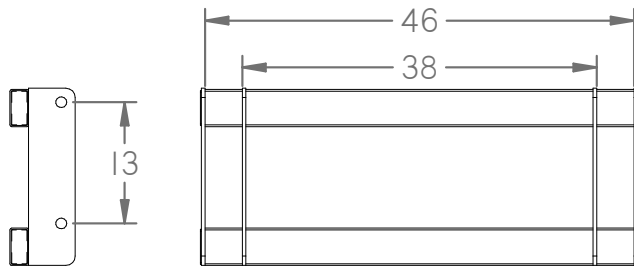
JD PIN-ON:

145, 146, 148, & 158



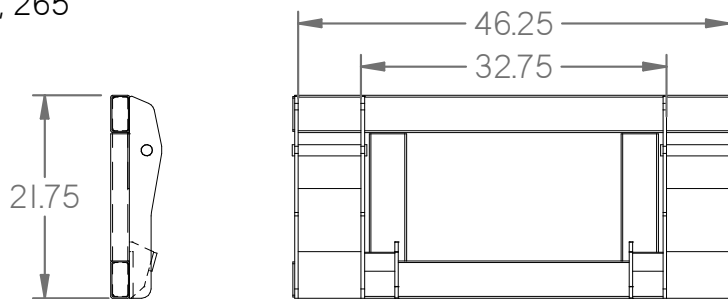
9320

JD 168 PIN-ON



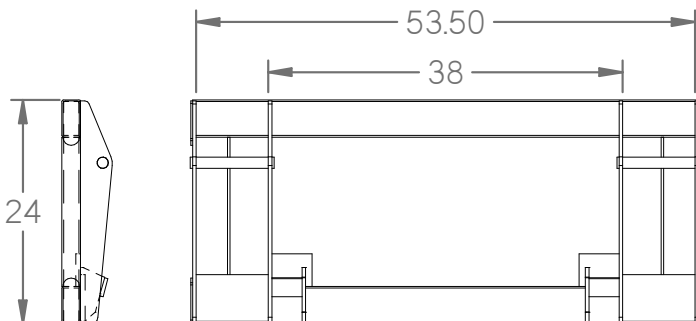
2320

JD 240, 245, 260, 265

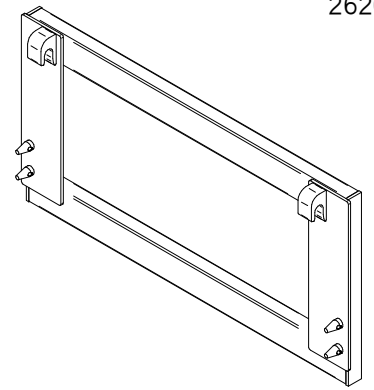
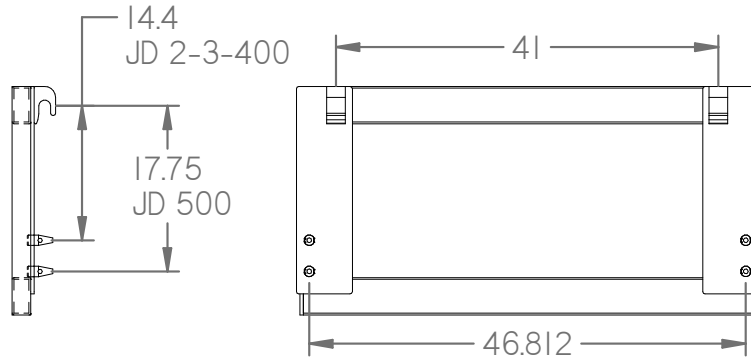


2420

JD 280



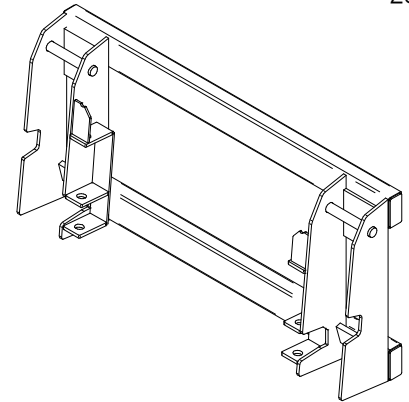
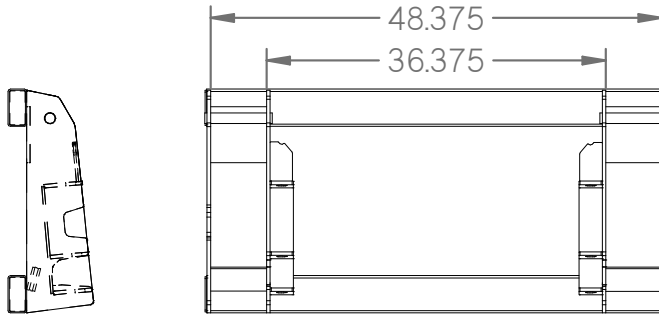
JD
 HI20,
 200X, 200CX,
 300X, 300CX,
 400, 400X, 500,
 & 500X



2620

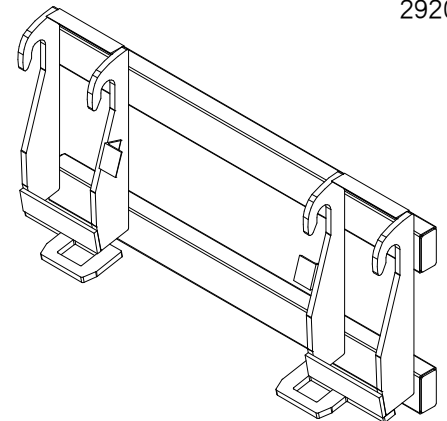
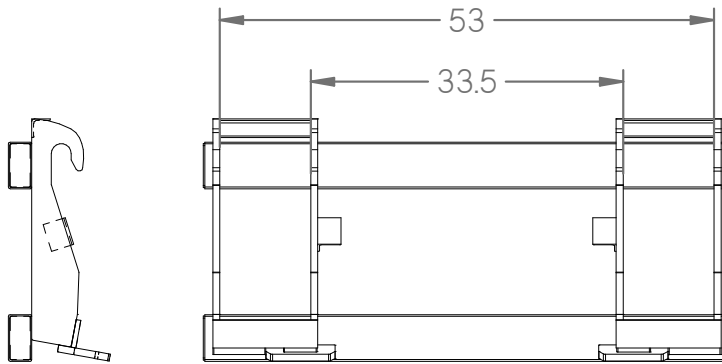
JD CLASSIC

640, 740,
 741, & 746



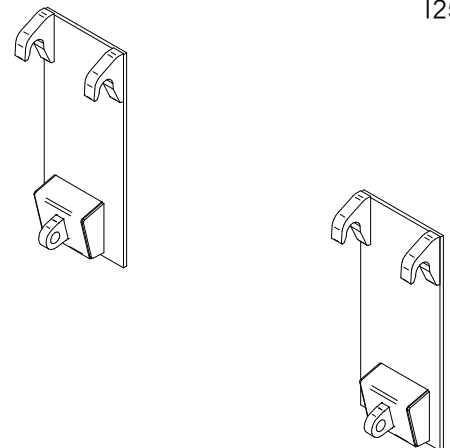
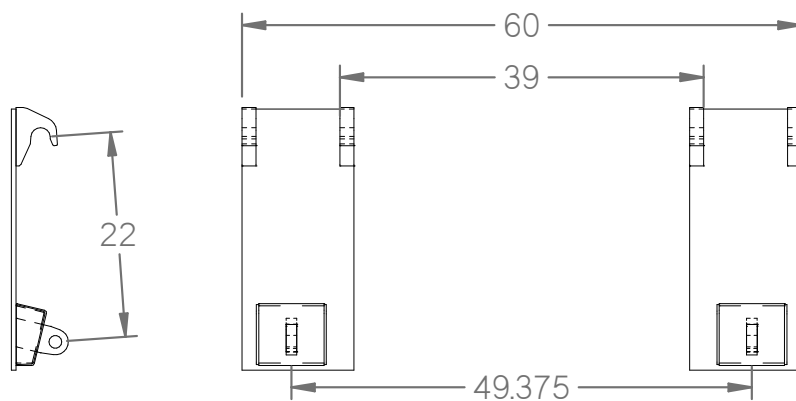
2820

JD 840



2920

JD H480 (GLOBAL TIER II)

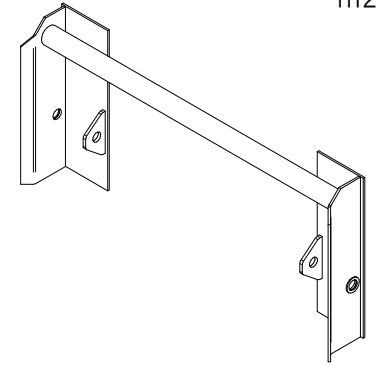
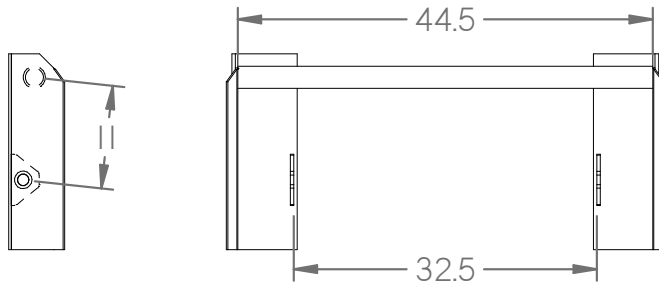


12520

11120

KOYKER Q-T

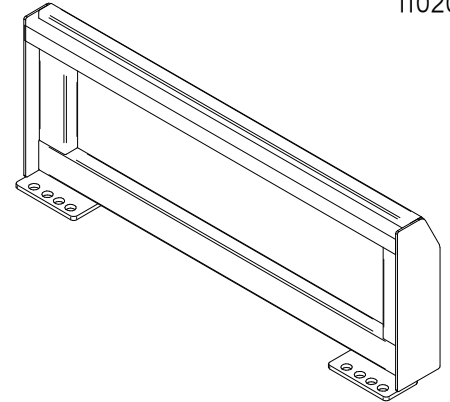
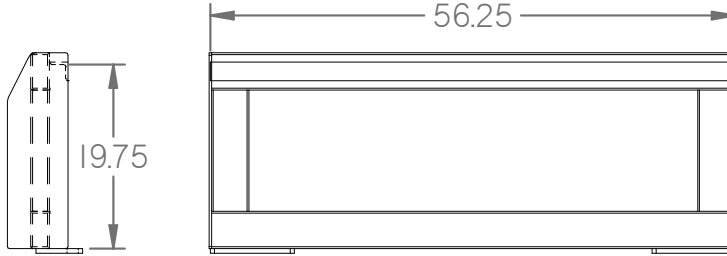
180, 185, 190,
195, 210, 220,
235, 245



11020

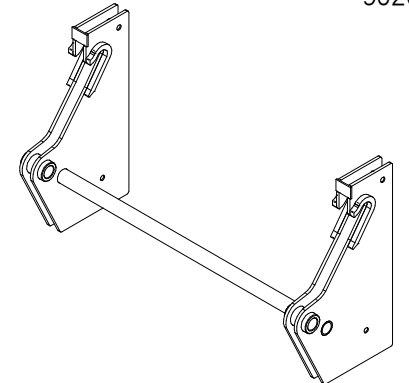
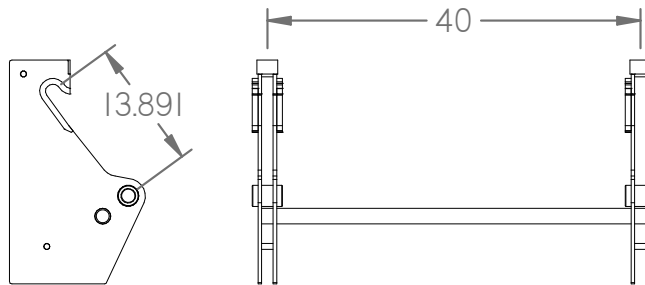
KOYKER Q-T

310, 345,
385, 445,
510, 545,
565, 585,
600, 645



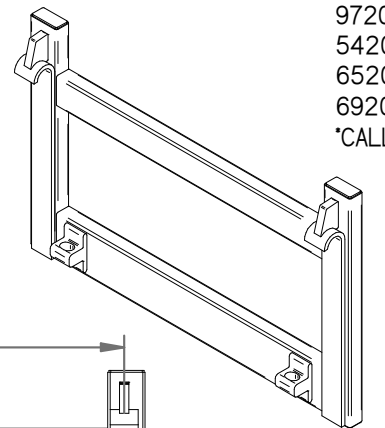
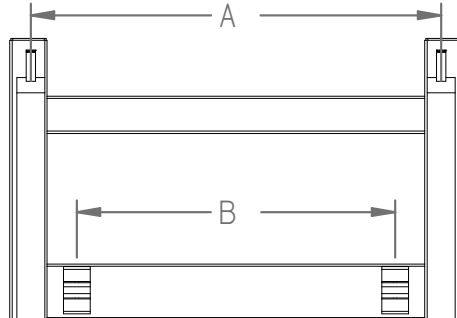
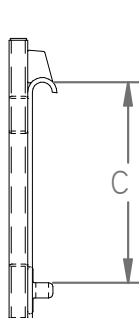
9020

KUBOTA Q-T 125I



MILLER

	DIMENSION (in)		
	A	B	C
G15, G20	41 1/2	32 1/4	14 9/16
Model 12, P12, R12	38 3/4	29 1/2	21 7/16
GL25, GP25, PL2, PL2JR, PL2X	41 1/2	31 3/4	21 7/16
GL30, GP30, PL3, PL4, PL5	44 1/2	34 5/8	21 7/16
PL1*	51	41 1/4	21 7/16
SUPER*	42 3/4	33 1/4	21 7/16



9720

5420

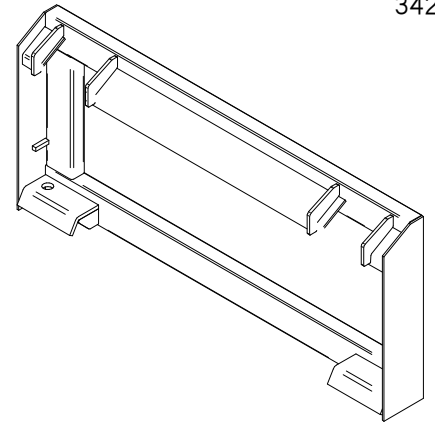
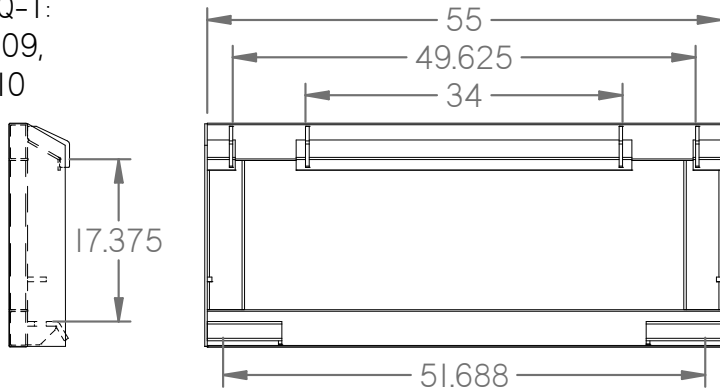
6520

6920

*CALL

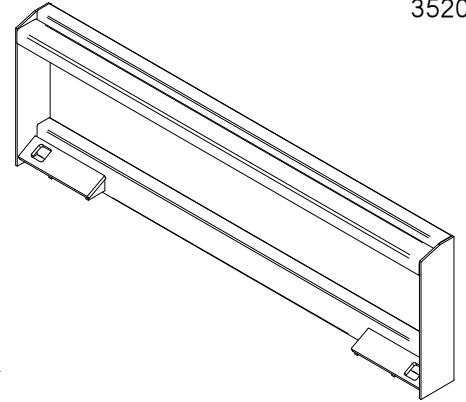
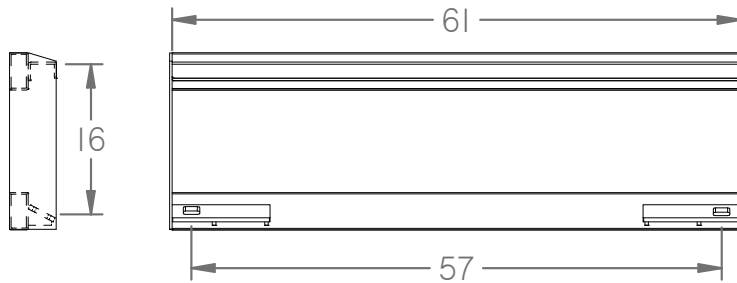


NEW HOLLAND Q-T:
7109, 7209, 7309,
7210, 7310, 7410



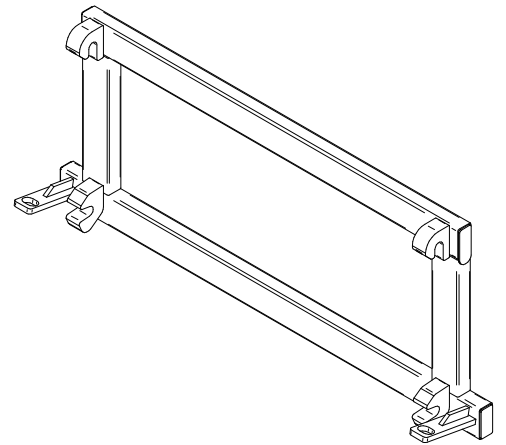
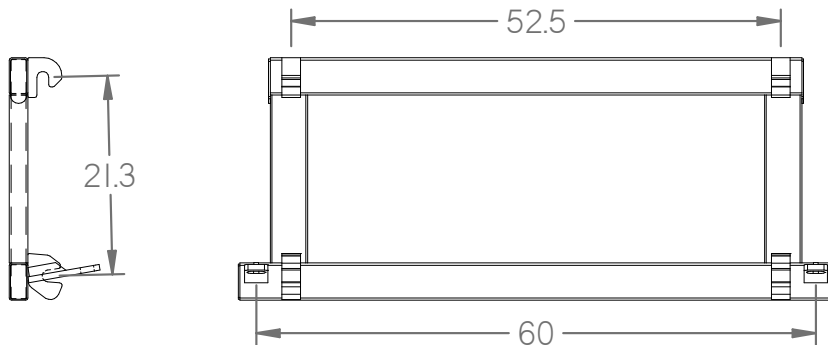
3420

NEW HOLLAND Q-T:
72 LA, 7311,
7411, 7511,
7312, 7313,
7314, 7412,
7413, 7414



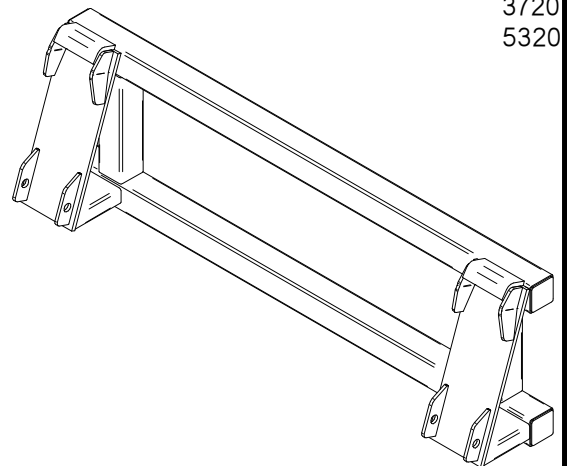
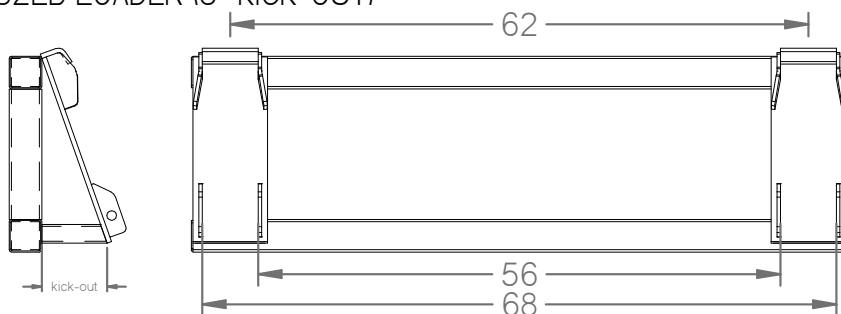
3520

NEW HOLLAND / VERSATILE BI-DIRECTIONAL SERIES: 156, 256, 276, 9030, 2360V, & 7414V



3820

NEW HOLLAND TV140, 145, & 6070 BI-DIRECTIONAL TRACTOR:
WITH 7614 OR 84LB LOADER (7" KICK-OUT)
or
82LB LOADER (3" KICK-OUT)

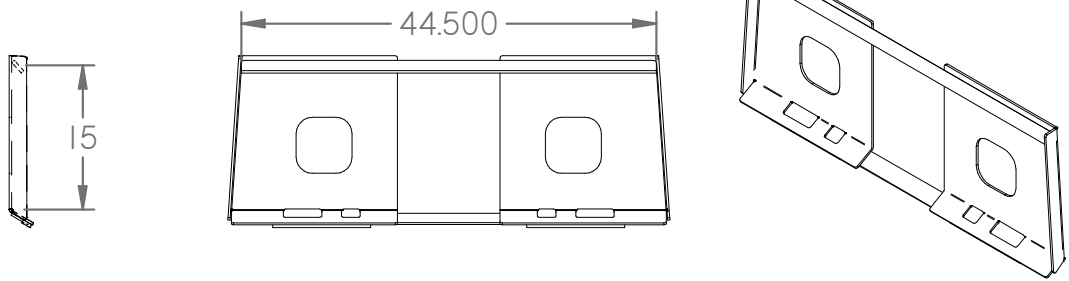


3720
5320



UNIVERSAL SKID STEER
(1995 AND NEWER)

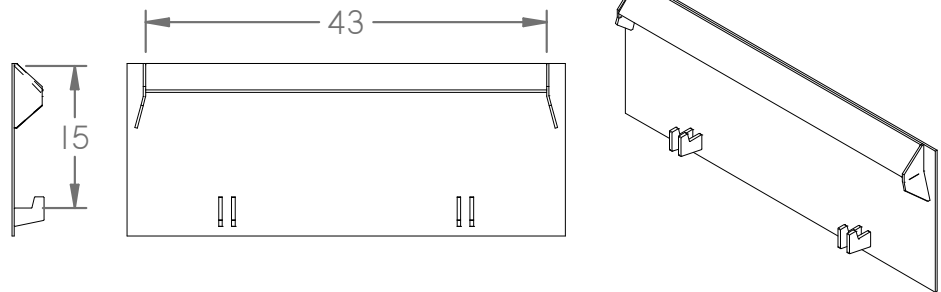
5520



NEW HOLLAND SKID STEER
1994 & OLDER (DOG EAR):

7120

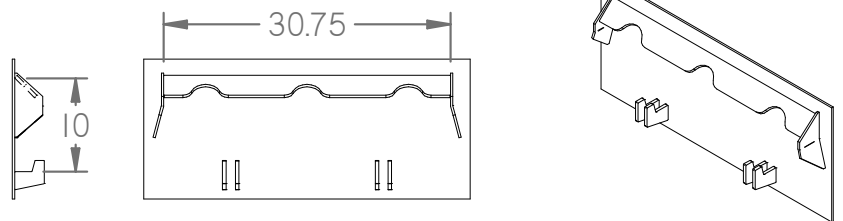
L553, L554, L555, L775,
L779, L781, L783, L784,
L785, & L865



NEW HOLLAND SKID STEER
1994 & OLDER (DOG EAR):

7220

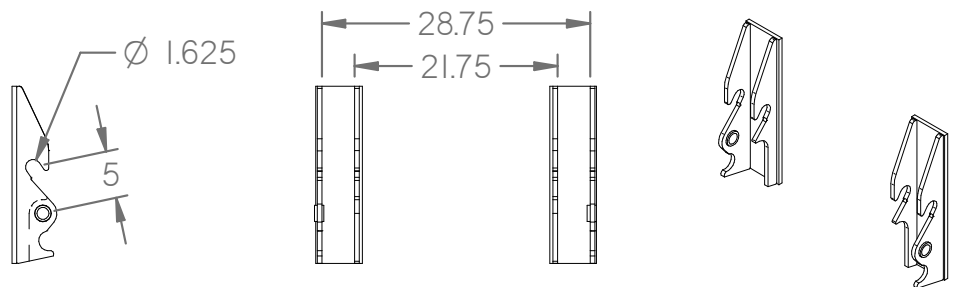
L35, L424, L425, L445, L451,
L452, L454, & L455



GEHL SKID STEER:

8320

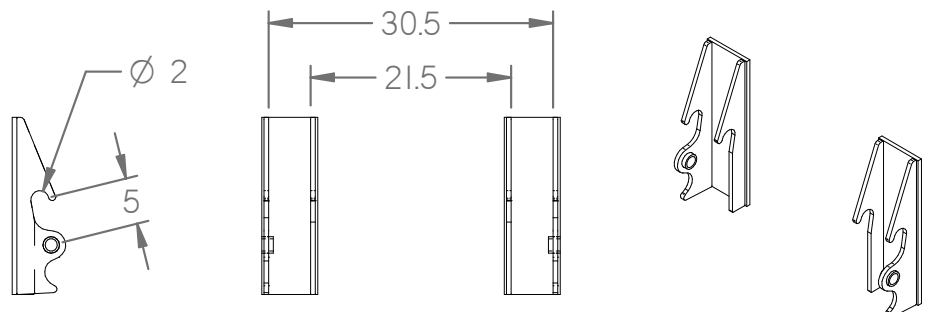
3725 & 3825



GEHL SKID STEER:

8420

4625, 5625, & 6625

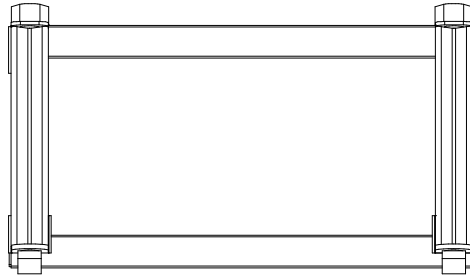
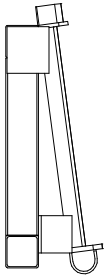


WESTENDORF:

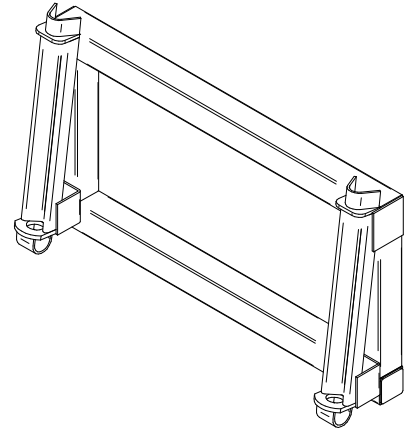
WESTENDORF 20 INCLUDES WL & TA MODELS

WESTENDORF 40 INCLUDES WL, TA, XTA400 MODELS & CC SERIES

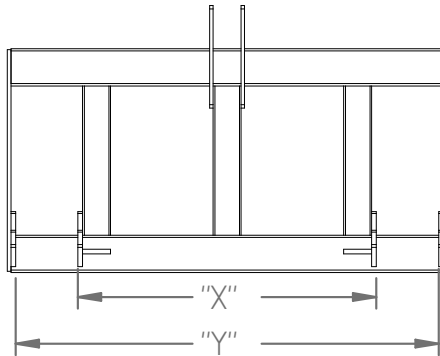
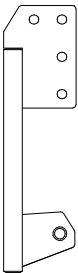
WESTENDORF 70 INCLUDES XTA700



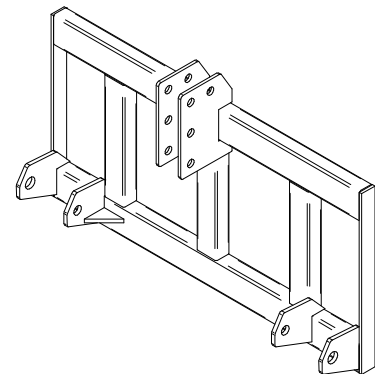
← 39.5" WL 20 →
← 45.5" WL 40 →
← 53.5" WL 70 →



3-POINT

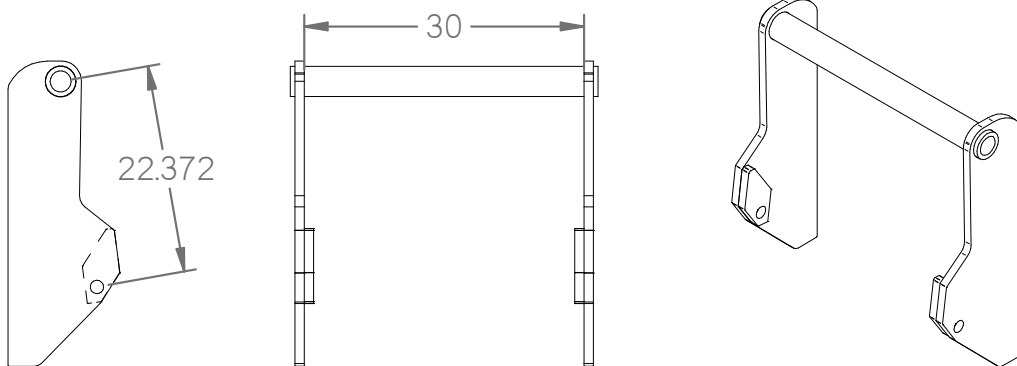


"X" = CAT 2/3N (32"-38")
"Y" = CAT 3W (38"-45")



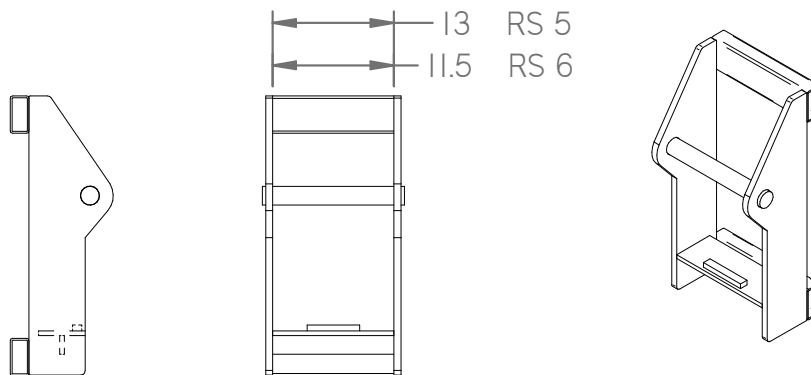
11720

BOBCAT VERSAHANDLER
518
723



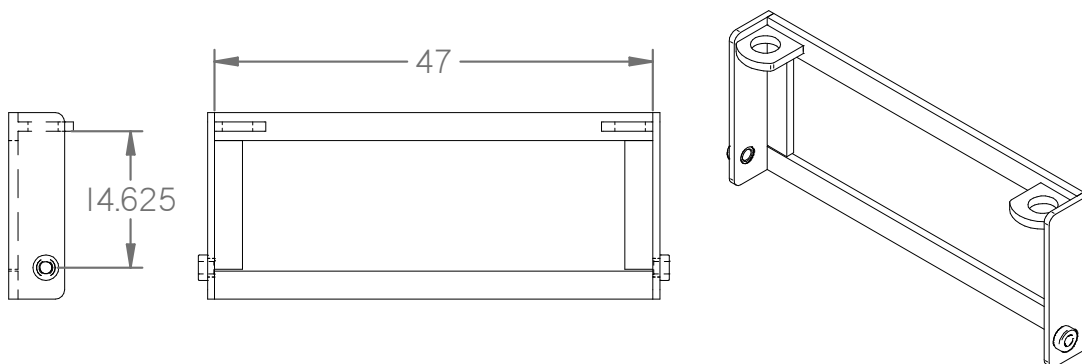
12820
12920

GEHL DYNATTACH
RS6 (11.5" measurement)
RS5 (13" measurement)



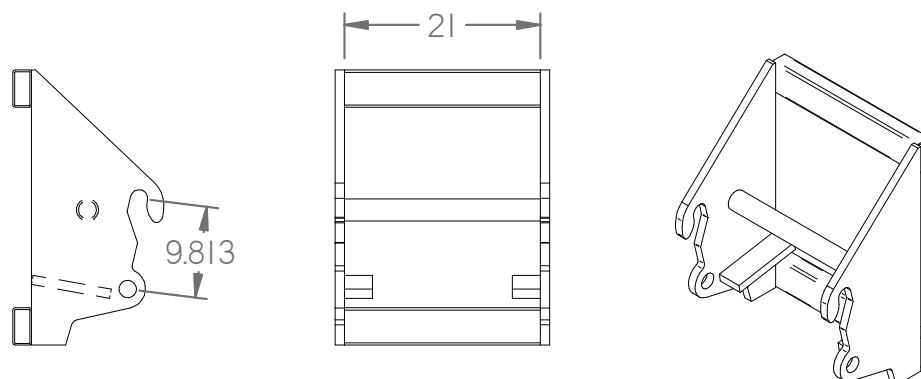
9420

JD TELEHANDLER:
3200, 3400, 3800



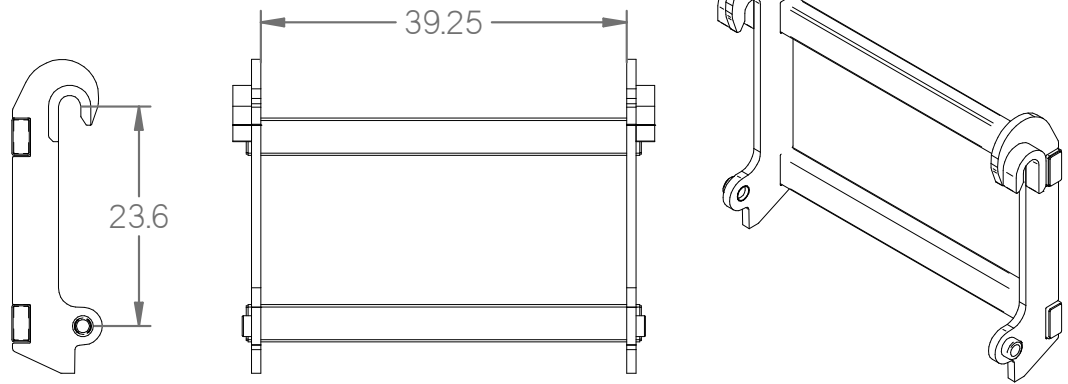
9520

JCB 520, 524, & 527

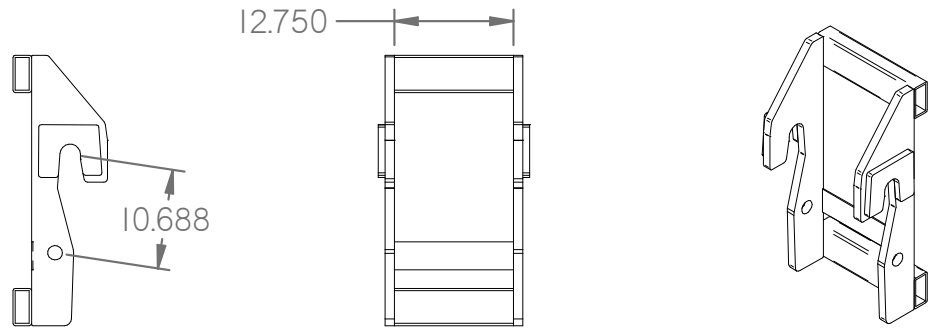


Q-FIT:

JCB 530, 536, 540
NEW HOLLAND LM 430



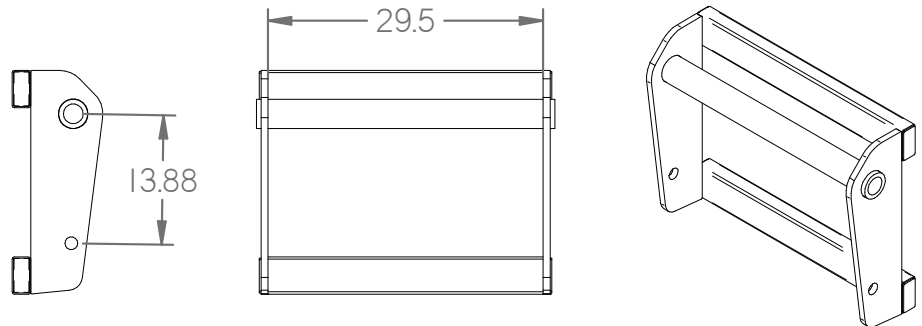
JCB 506C



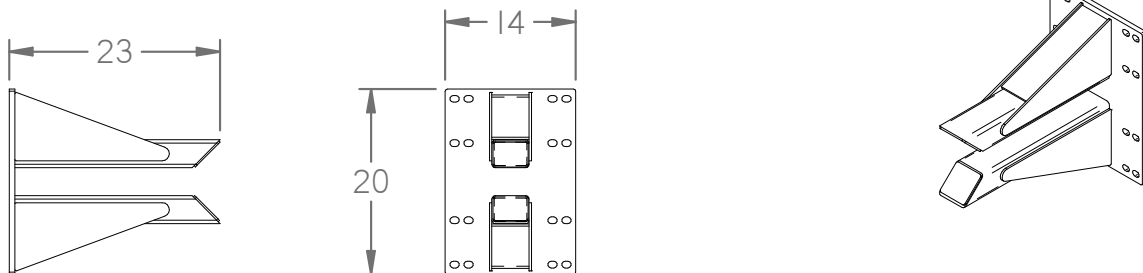
MANITOU

NEW HOLLAND LM435 (BLUE),
LM 5040, LM 5050, LM 5060

GEHL CT 516, CT 618 & CT 723

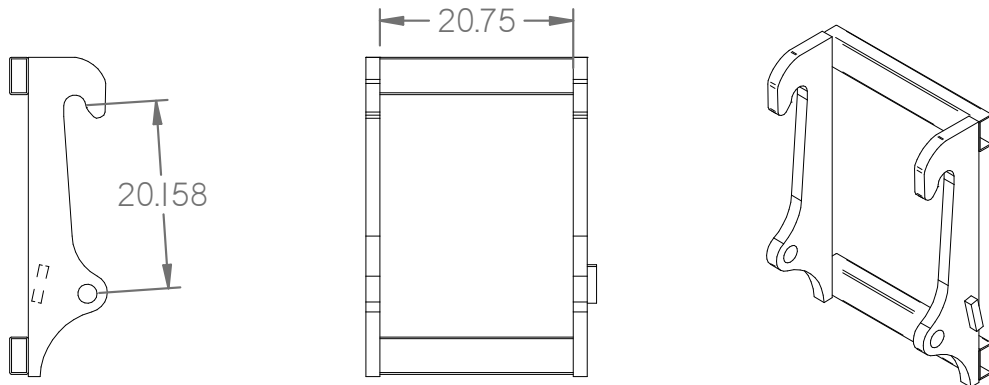


UNIVERSAL BUCKET EDGE (TLT)
BOLT ON MOUNT KIT



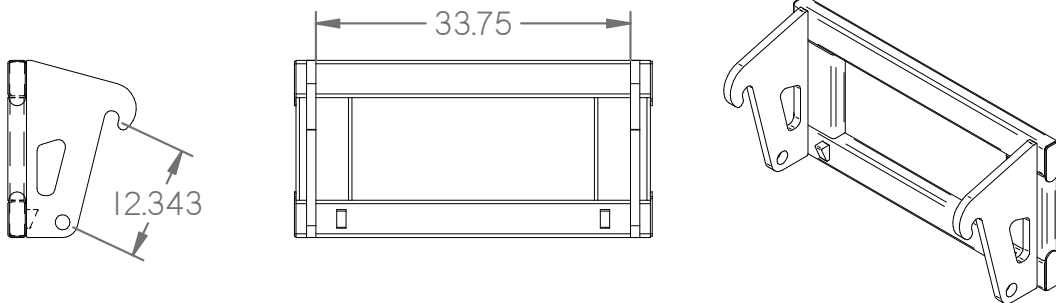
12420

CAT:
IT 14, 24, 28
924
930G
TH406



12120

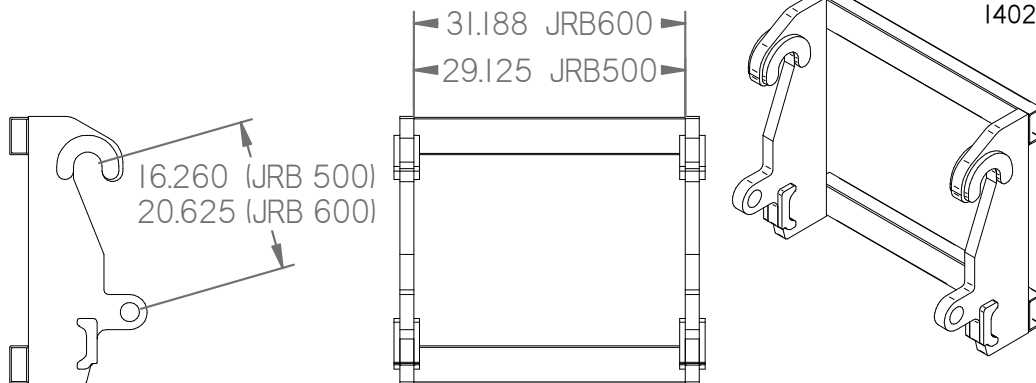
JD 244J
JCB 409B
KOMATSU WA95
VOLVO L35



12220
14020

JRB 500 SERIES:
JD 444/544
CASE 521/621
KOMATSU WA 200/320
NH LW170

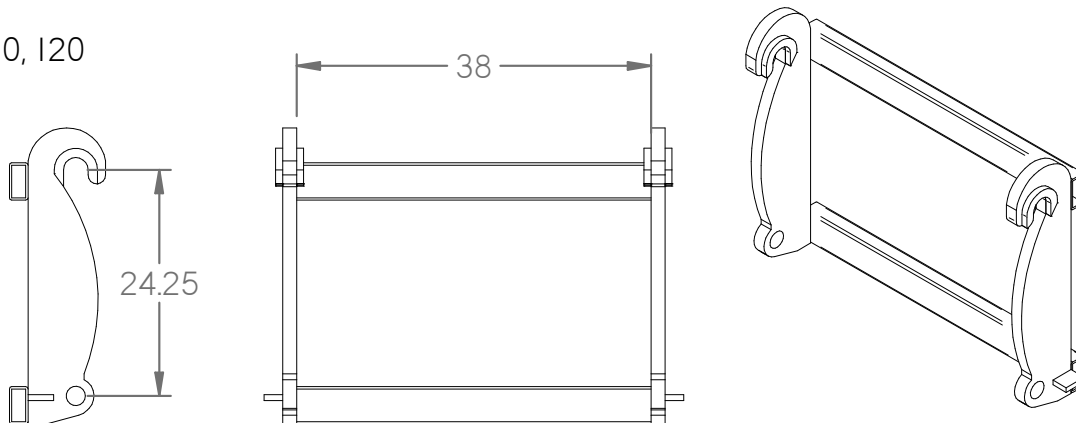
JRB 600 SERIES:
JD 644
KOMATSU WA 380



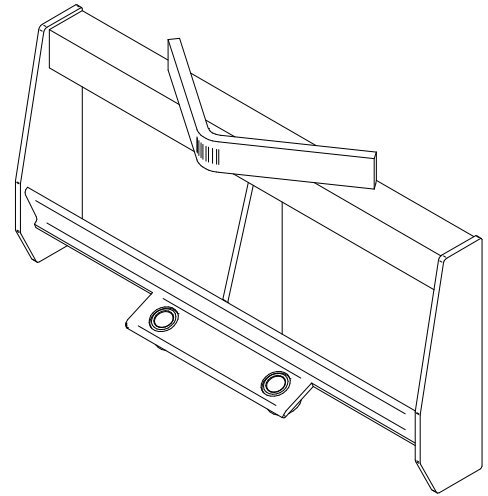
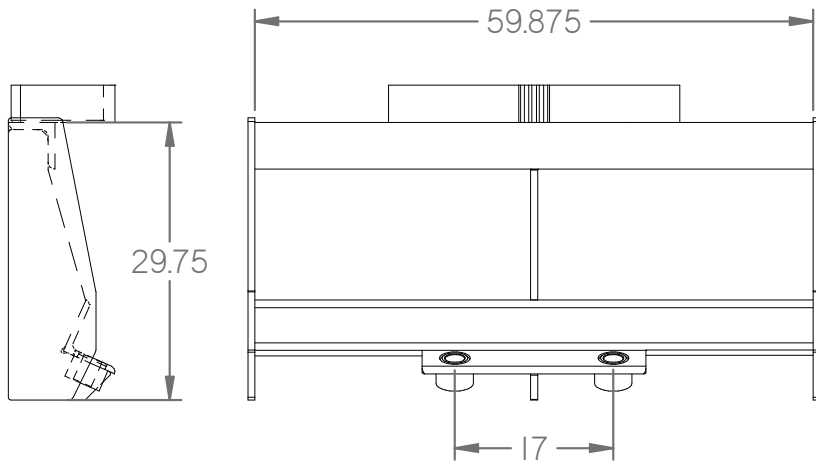
12320

VOLVO L-SERIES:
L50, 60, 70, 80, 90, 110, 120

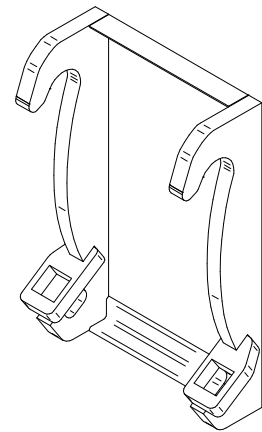
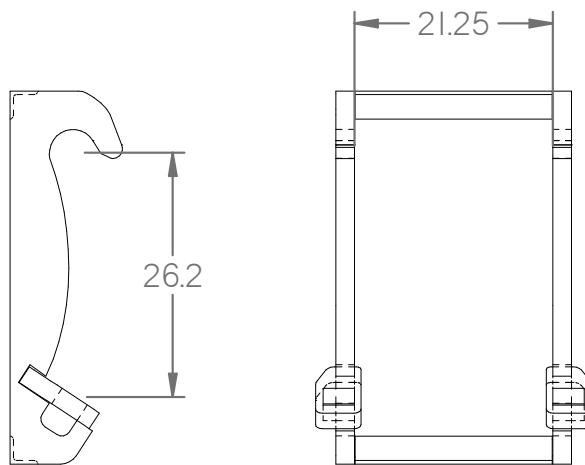
JCB 416 & 426



ACS PRO SERIES 2000
'SIZE 30'



CAT FUSION



UNIVERSAL BUCKET EDGE (WL)
BOLT ON MOUNT KIT

