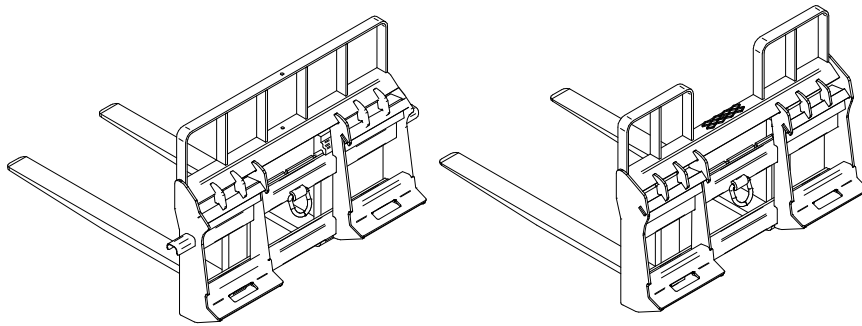
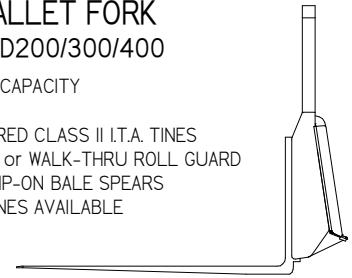


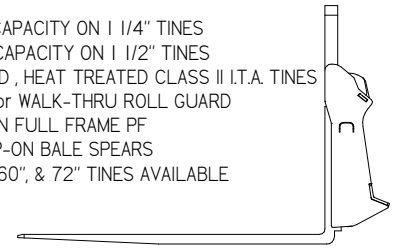
**ECONOMY STYLE
RAIL PALLET FORK
FOR SS, JD200/300/400**

- *2,800# MAX CAPACITY
- *50 HP MAX
- *FULLY TAPERED CLASS II I.T.A. TINES
- *FULL FRAME or WALK-THRU ROLL GUARD
- *ACCEPTS CLIP-ON BALE SPEARS
- *42" & 46" TINES AVAILABLE



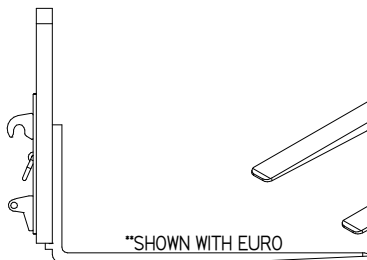
**RAIL PALLET FORK
CAB FORWARD / HIGH VISIBILITY
FOR SS AND TRACTOR LOADERS**

- *4,000# MAX CAPACITY ON 1 1/4" TINES
- *5,500# MAX CAPACITY ON 1 1/2" TINES
- *FULLY FORGED, HEAT TREATED CLASS II I.T.A. TINES
- *FULL FRAME or WALK-THRU ROLL GUARD
- *SIDE STEPS ON FULL FRAME PF
- *ACCEPTS CLIP-ON BALE SPEARS
- *42", 46", 48", 60", & 72" TINES AVAILABLE

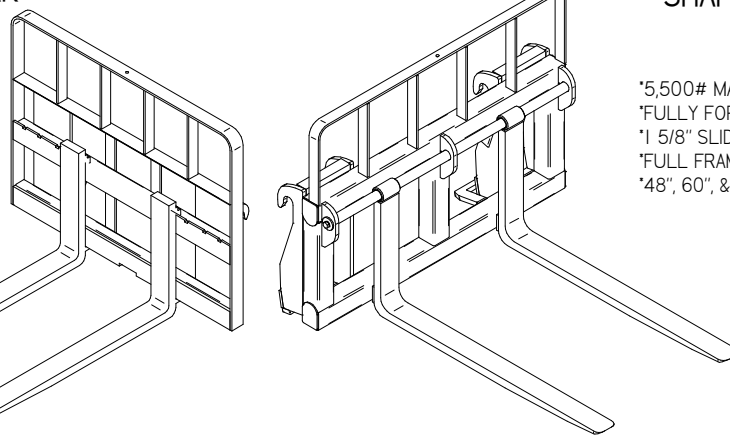


STANDARD RAIL PALLET FORK

- *4,000# MAX CAPACITY ON 1 1/4" TINES
- *5,500# MAX CAPACITY ON 1 1/2" TINES
- *FULLY FORGED, HEAT TREATED CLASS II I.T.A. TINES
- *ACCEPTS CLIP-ON BALE SPEARS
- *42", 46", 48", 60", & 72" TINES AVAILABLE

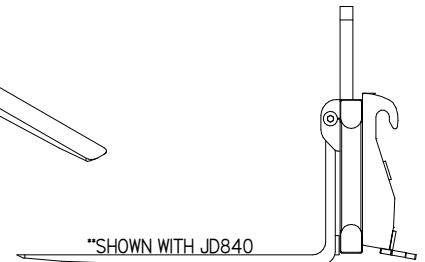


"SHOWN WITH EURO"



SHAFT PALLET FORK

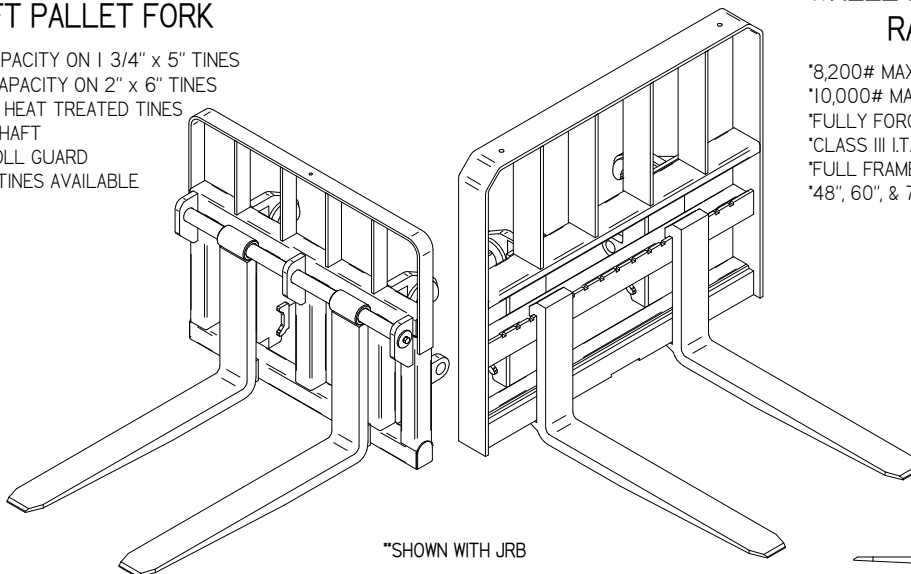
- *5,500# MAX CAPACITY (1 1/2" TINES)
- *FULLY FORGED, HEAT TREATED TINES
- *1 5/8" SLIDER SHAFT
- *FULL FRAME ROLL GUARD
- *48", 60", & 72" TINES AVAILABLE



"SHOWN WITH JD840"

**WHEEL LOADER/TELEHANDLER
SHAFT PALLET FORK**

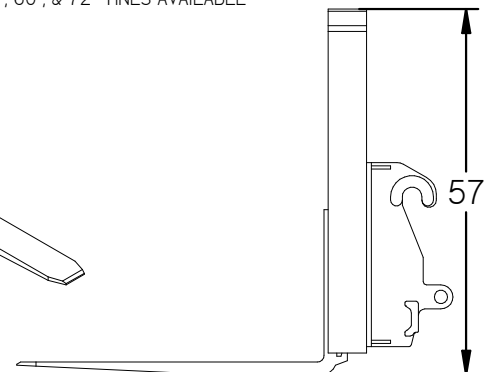
- *8,200# MAX CAPACITY ON 1 3/4" x 5" TINES
- *12,000# MAX CAPACITY ON 2" x 6" TINES
- *FULLY FORGED, HEAT TREATED TINES
- *2 1/4" SLIDER SHAFT
- *FULL FRAME ROLL GUARD
- *48", 60", & 72" TINES AVAILABLE



"SHOWN WITH JRB"

**WHEEL LOADER/TELEHANDLER
RAIL PALLET FORK**

- *8,200# MAX CAPACITY ON 1 3/4" x 5" TINES
- *10,000# MAX CAPACITY ON 2" x 6" TINES
- *FULLY FORGED, HEAT TREATED TINES
- *CLASS III I.T.A. TINES
- *FULL FRAME ROLL GUARD
- *48", 60", & 72" TINES AVAILABLE



57