

NEW!

TRACTOR LOADER GRAPPLES

AFTERMARKET – RETROFIT

NEW!

- Designed to fit standard 1yd agricultural tractor loader buckets
- Features a robust design utilizing high-strength materials
- Superior clamping and holding power
- 4 & 5-Tine grapples available
- 6' grapple opening

DUAL 4000 PSI CYLINDERS
WITH O-RING PORTS

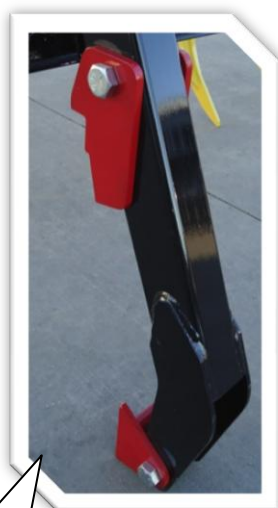
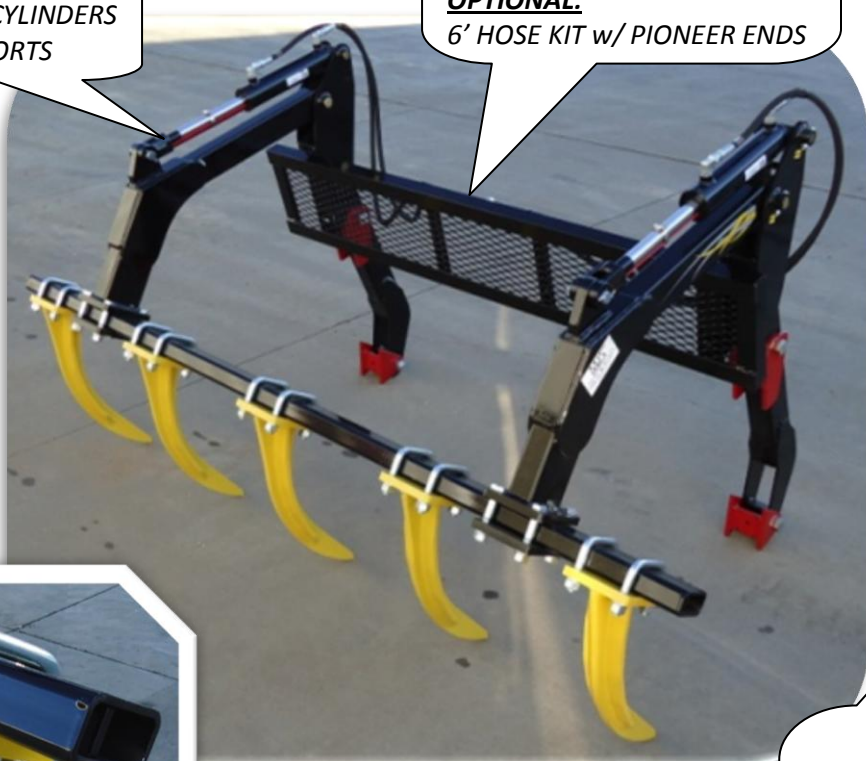
STANDARD:
SPILL GUARD W/ HOSE KIT TO
CENTER MOUNT
OPTIONAL:
6' HOSE KIT w/ PIONEER ENDS

PART #'s

4-tine: GF52-4B

5-tine: GF52-5B

Weld-on brackets: 120-0484



**WELD-ON BRACKETS
(SHOWN HERE PAINTED RED)**

(SOLD SEPERATELY)

*Cut pattern specific to MDS 1.0 yd
bucket. Probable modification to
brackets before weld to bucket.*

BOLT-ON GRAPPLE TINE

- High strength T-1 material
- Reinforced sides gussets



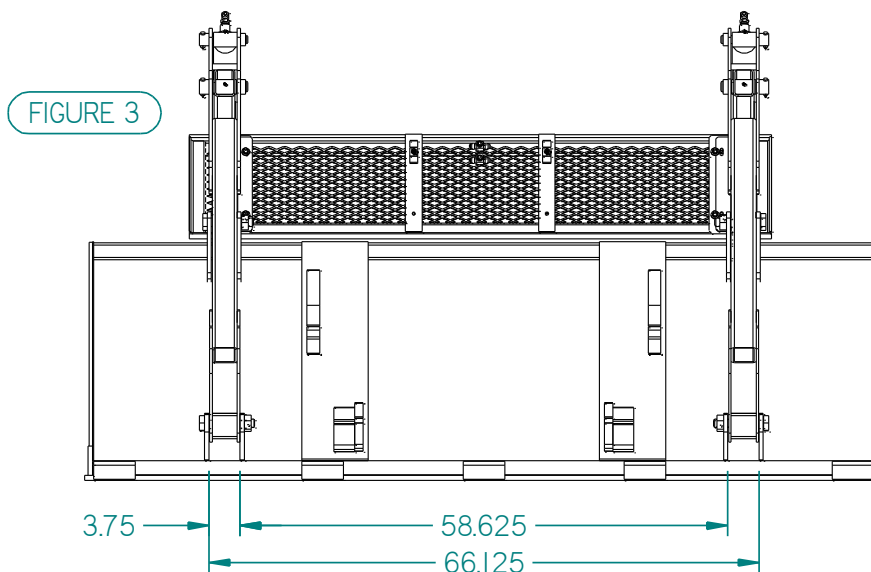
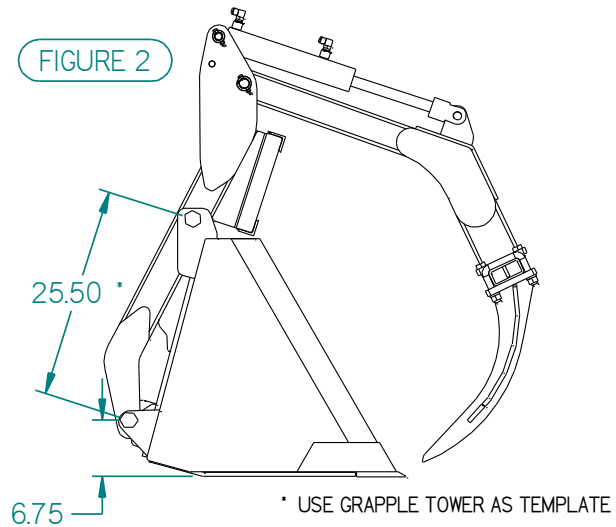
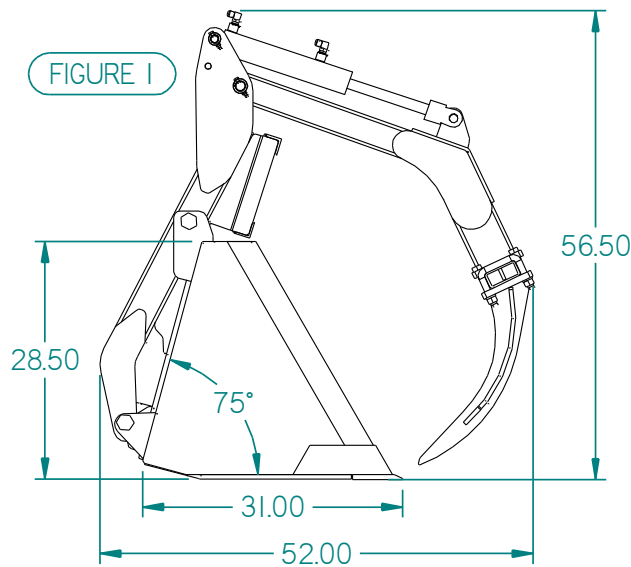
MANUFACTURING CO., INC.

1301 S. SD Hwy. 37 - Parkston, SD 57366
Phone: (605) 928-7951 - Fax: (605) 928-7952
Toll Free: 800-658-4703 - email: mds@santel.net

www.mdsmfg.com

INSTALLING GRAPPLE ON A NON-MDS BUCKET

THIS GRAPPLE IS DESIGNED TO FIT THE MDS 1.0 YD BUCKET SHOWN BELOW. IF YOUR BUCKET DIMENSIONS ARE SIMILAR TO THE ONES IN FIGURE 1, PROCEED TO FIGURE 3 FOR THE DIMENSIONS TO WELD ON THE BRACKETS. USE 3/8" FILLET WELD ALL-AROUND (MINIMUM) TO SECURE BRACKETS TO THE BACK OF YOUR BUCKET. IF YOUR BUCKET DIMENSIONS VARY FROM THE MDS BUCKET, THEN YOU WILL NOT HAVE CLOSURE ON THE GRAPPLE AS SHOWN BELOW. THEREFORE, MODIFICATIONS TO THE GRAPPLE BRACKETS CAN BE MADE BEFORE WELDING. THE DIMENSIONS IN FIGURE 2 CAN BE USED TO ACHIEVE BETTER GRAPPLE CLOSURE.



MANUFACTURING Co., INC.

1301 S. SD Hwy. 37 - Parkston, SD 57366
Phone: (605) 928-7951 - Fax: (605) 928-7952
Toll Free: 800-658-4703 - email: mds@santel.net

www.mdsmfg.com