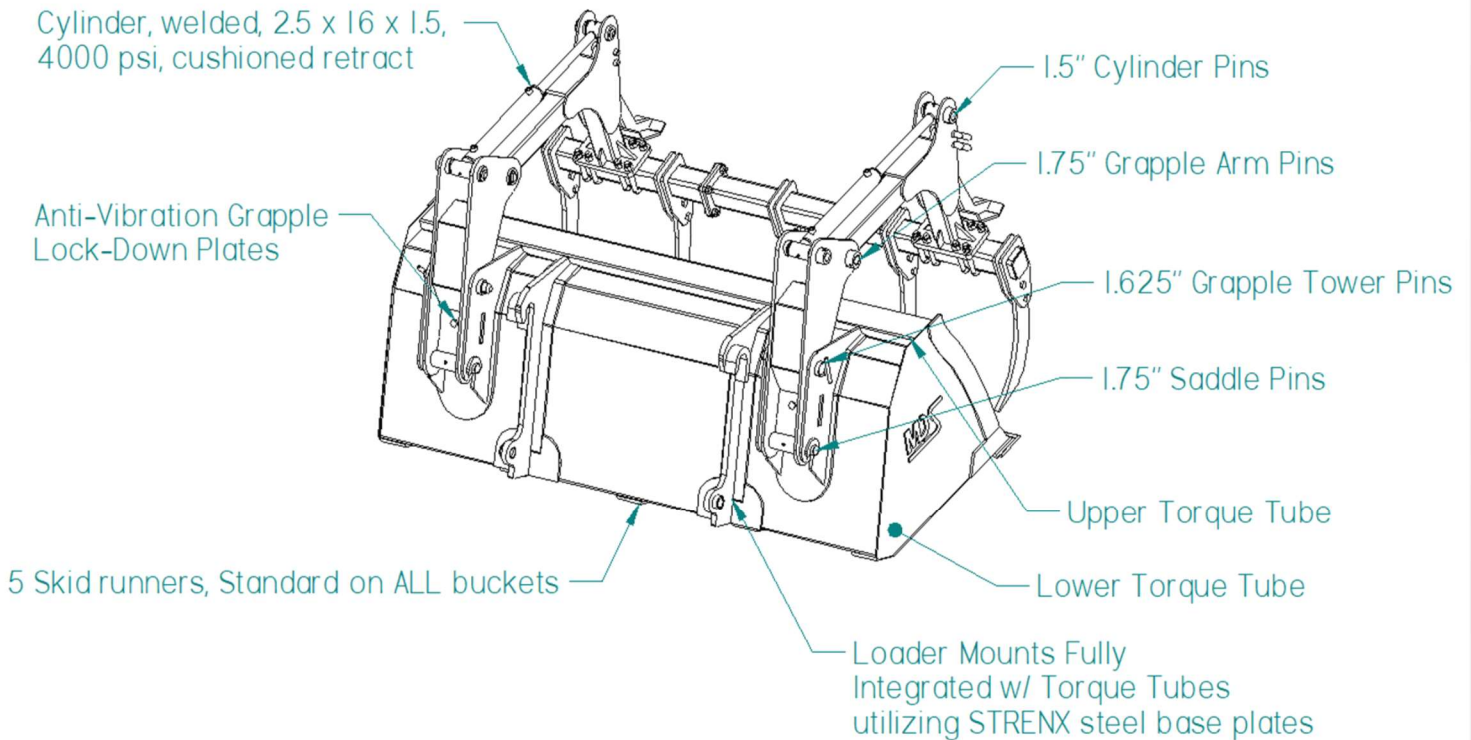
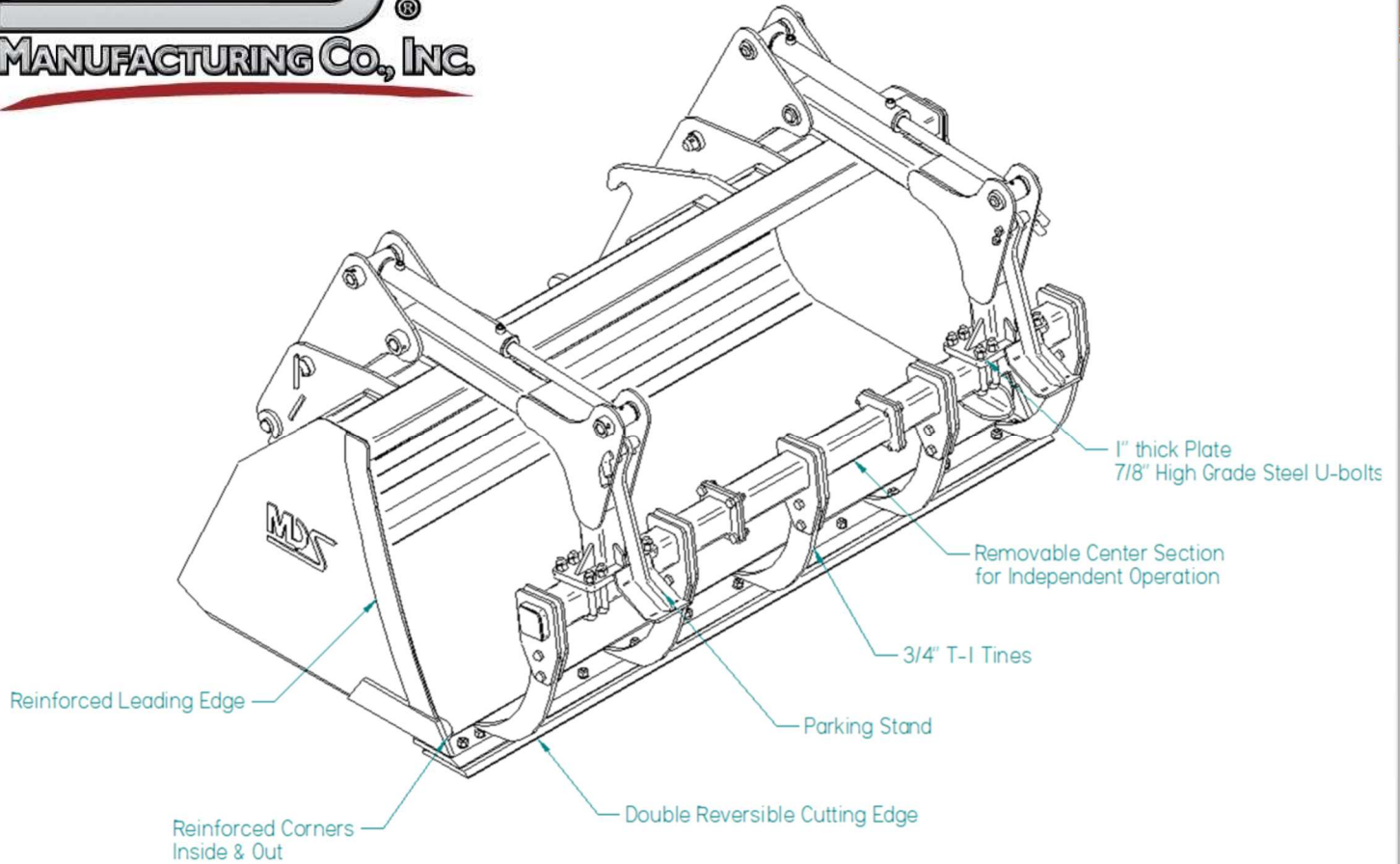




1301 S. SD Hwy 37 ~ Parkston, SD 57366
 (605) 928-7951 ~ (800) 658-4703
www.mdsmfg.com ~ sales@mdsmfg.com



Introducing:

Ultra Ag

Ultra Industrial

The NEXT GENERATION of Buckets & Grapples

Cutting Edge Technology – for both buckets and grapples

Utilizing Strenx steel material for lighter weight and stronger bucket / grapple systems

Upper & lower torque tubes with loader mounts fully integrated for optimum support

5-tine split grapple / provides independent operation

Large 82" grapple opening

Cushioned cylinders

Hydraulic hose retaining rings

Easy-On / Easy-Off grapple w/ Parking Stand

Anti-Vibration Grapple Lockdown plates

Concave or Convex side plates

2 bucket profiles / 1 grapple:

- G Profile:
 - 96", 102", 108" widths
 - 1.35, 1.5, 1.65 cu yd struck
- H Profile:
 - 96", 102", 108" widths
 - 2.3, 2.5, 2.7 cu yd struck

Superior rollback for Maximum Payload

Available for **Q-Fit, Volvo, Manitou, Schaffer, & Euro** mounts

Extreme Dump Angles

Reinforced Leading Edge

5 Skids Standard on ALL Buckets

¾" T-1 Grapple Tines

